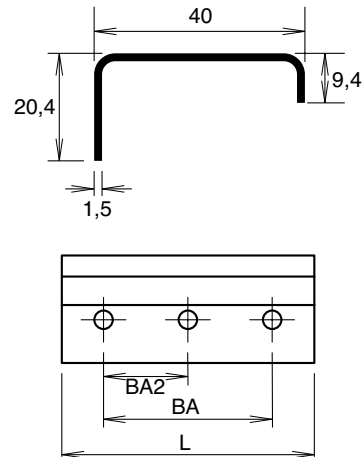


IN-350 / I-400



Edelstahl matt - AISI 304

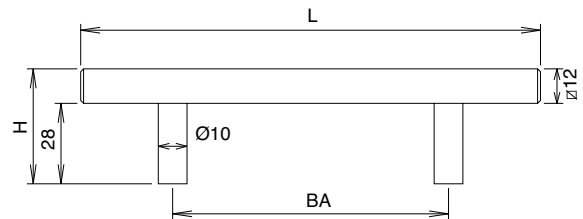


IN-350

Artikelnummern:	BA	L	BA2	Gew.	VPE
350.016.65	16	32		22 gr	25
350.064.65	64	96		67 gr	25
350.096.65	96	128		92 gr	25
350.128.65	128	160		114 gr	25
350.160.65	160	192	80	139 gr	10
350.192.65	192	224	96	155 gr	10
350.224.65	224	256	112	180 gr	10
350.256.65	320	352	128	250 gr	10
350.352.65	512	544	176	392 gr	10



Edelstahl matt - AISI 304



I-400

Artikelnummern:	D	BA	L	H	Gew.	VPE
400.012.096.65	12	96	160	40	206 gr	25
400.012.128.65	12	128	192	40	240 gr	25
400.012.160.65	12	160	224	40	280 gr	10
400.012.192.65	12	192	256	40	316 gr	10
400.012.224.65	12	224	288	40	355 gr	10
400.012.256.65	12	256	320	40	386 gr	10
400.012.288.65	12	288	352	40	404 gr	10
400.012.320.65	12	320	384	40	458 gr	10
400.012.384.65	12	384	448	40	533 gr	10
400.012.480.65	12	480	544	40	625 gr	10
400.012.512.65	12	512	576	40	672 gr	10
400.012.640.65	12	640	704	40	824 gr	10